

winterhalter

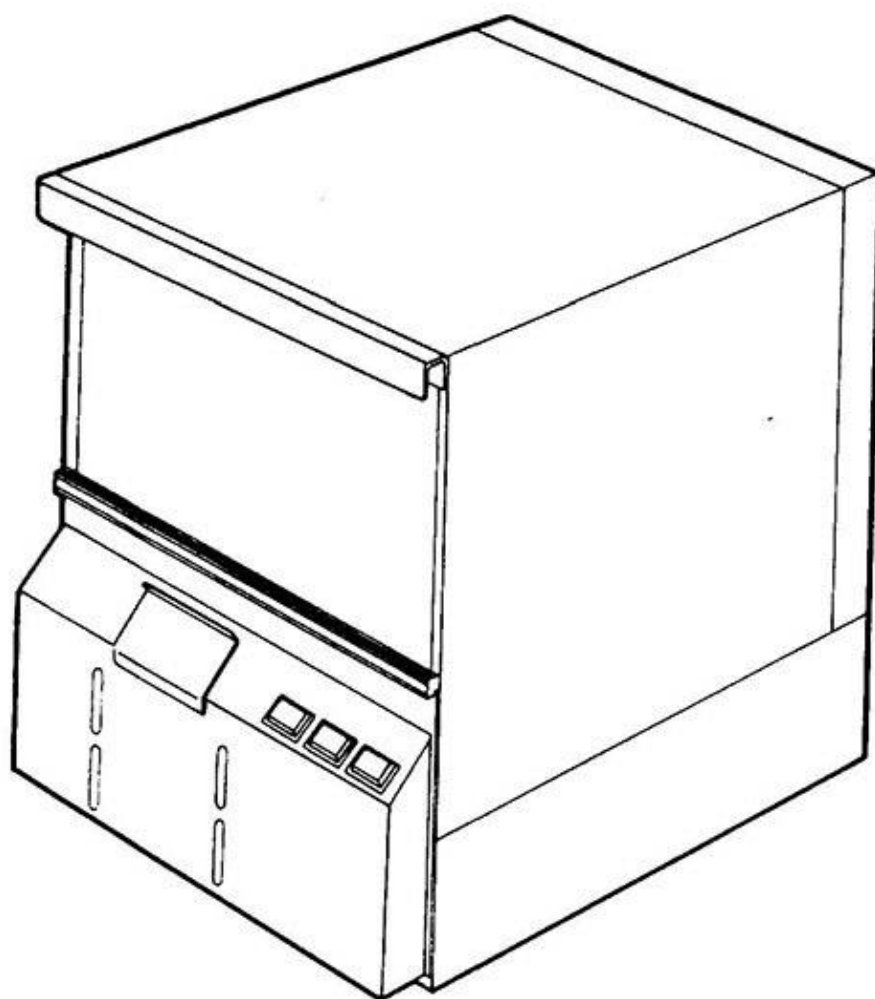
Spare Parts List

GS 23 / GS 27

Edited 9/90

Revised 11/04

Part no. 89001197



Summary

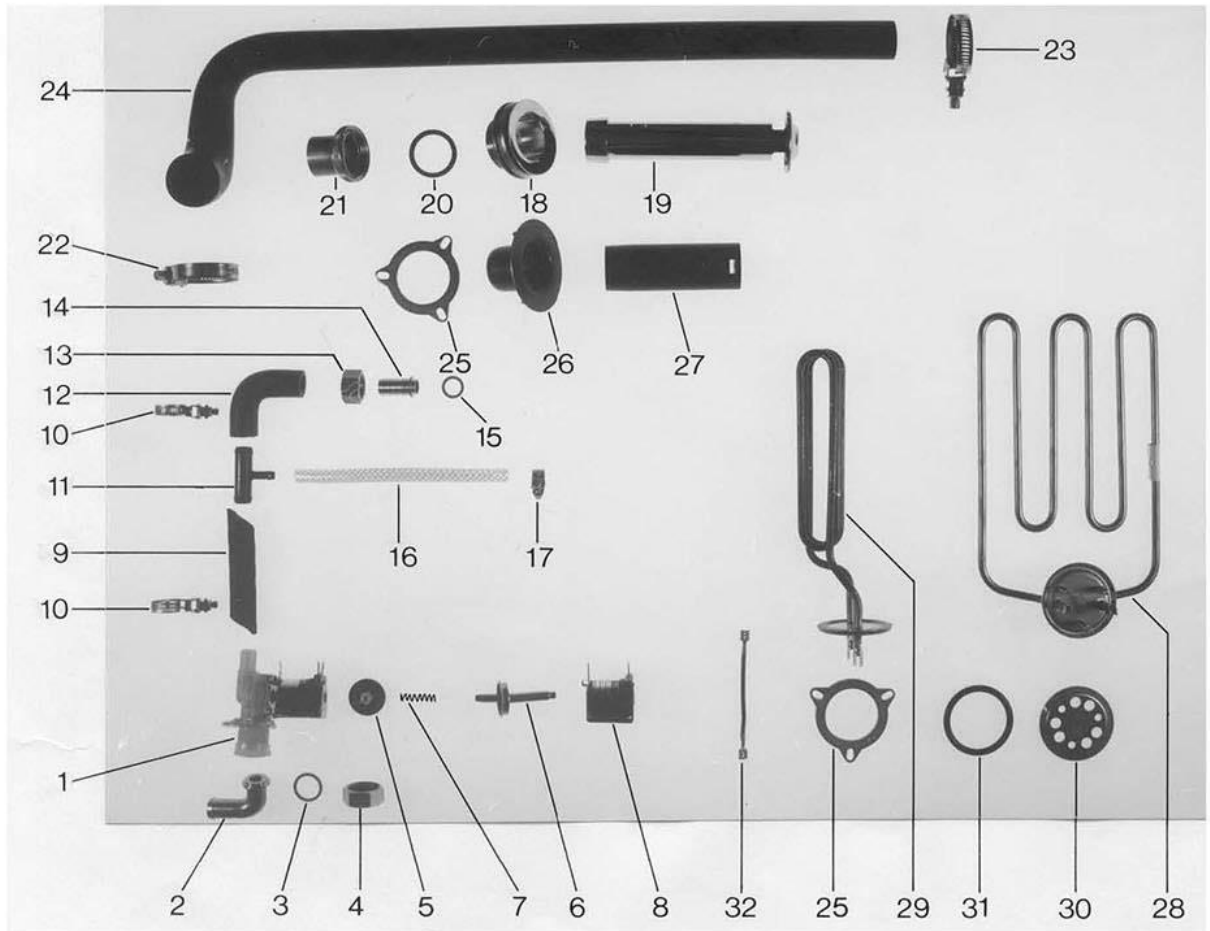
Water supply, water drain	
tank heating	Page 1 and 2
Wash system	Page 3 and 4
Boiler and rinsing I	Page 5 and 6
Rinsing II	Page 7 and 8
Door, frame, cover, panels	Page 9 and 10
Electrical parts	Page 11 and 12

Racks and accessories see separate list.

Parts that have the note " Part made to order only!" are not in stock. This parts are made specially for your order and have a delivery time. They are not returnable.

GS 23 / 27

Wassenzulauf, Wasserablauf Tankheizung
Water inlet, drain, tank heating
Alimentation d'eau, écoulement, chauffage cuve

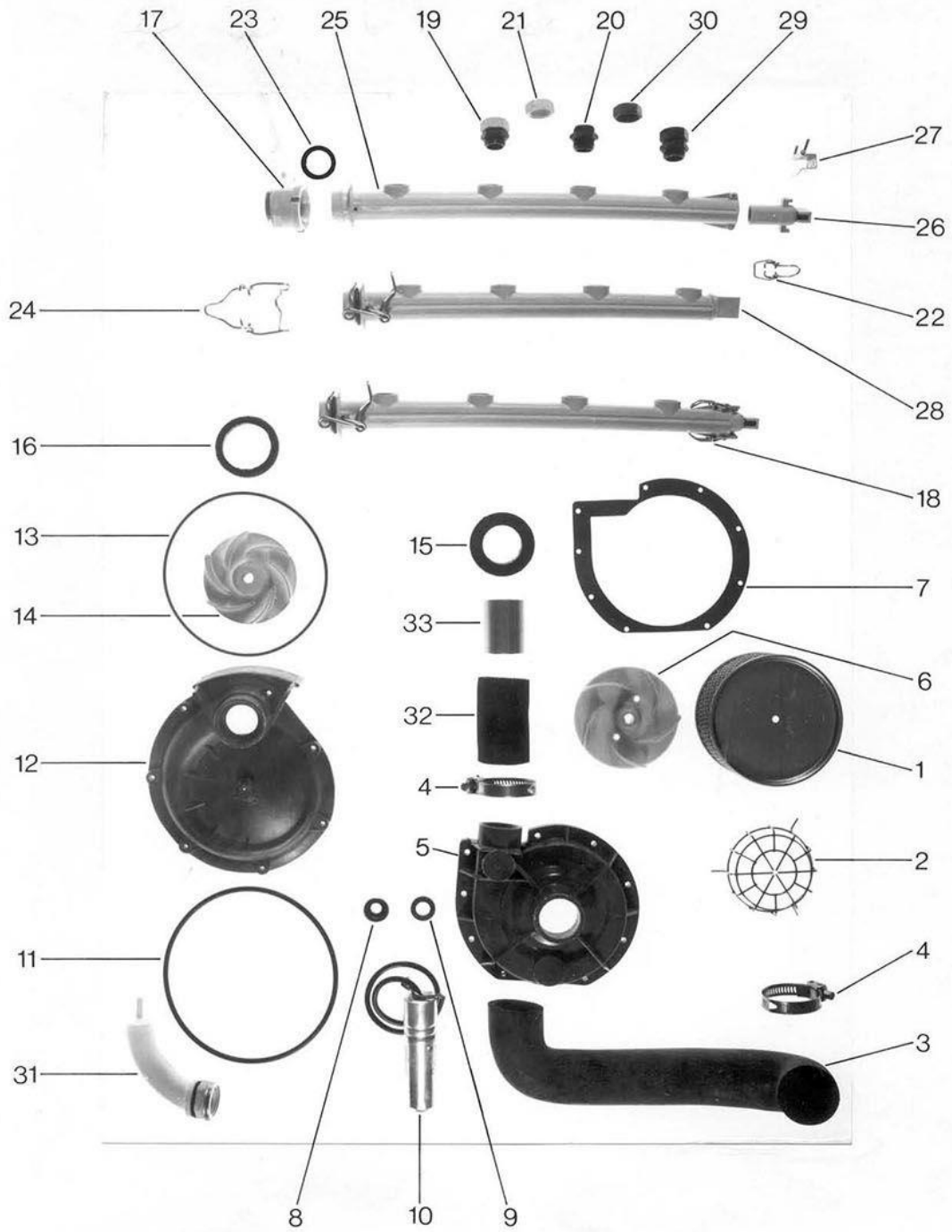


GS 23 / 27 - Water supply, water drain, tank heating

Pos.	Designation	Part no.	23	27	Notes
1	Solenoid valve	31 06 180	x	x	
2	Connection elbow	29 06 227		x	
n.p.	Connection elbow plastic	60 002474		x	f. hose connect.
3	Seal \varnothing 19,5 x \varnothing 24	27 09 010	x	x	
4	Coupling nut 3/4" BSP	29 07 203		x	
5	Diaphragm		x	x	replaced by pos.1
6	Bush with plunger		x	x	
7	Spring		x	x	
8	Combined coil 220-240V/50-60Hz		x	x	
9	Industrial hose 13 x 3,5	40 02 029	x	x	per meter
10	Hose clip 14-22	28 02 301	x	x	
11	T-piece black	35 01 086	x	x	
12	Hose elbow	40 03 001	x		
13	Coupling nut 1/2" BSP	61001946	x		
14	Hose socket 1/2" BSP	29 06 213	x		
15	Seal \varnothing 18 x \varnothing 13,3	27 09 013	x		
n.p.	Boiler inlet cpl.	55 09 026		x	
16	Reinforced plastic hose 5 x 3	40 01 024	x	x	per meter
17	Wire hose clip	28 02 348	x	x	
18	Stand pipe bottom part	29 04 202		x	
19	Stand pipe 130 mm plastic	62002648		x	
20	Seal \varnothing 38 x \varnothing 30	27 09 031		x	
21	Soldered screwing	29 04 255		x	+ 1 x 27 02 001
22	Hose clip 32-52	28 02 110	x	x	
23	Hose clip 24-36	28 02 111	x		
24	Drain hose	40 03 033	x		
25	Clamping plate	01 17 003	x		
26	Stand pipe bottom part	55 04 029	x		
27	Stand pipe 80 mm	29 04 231	x		
28	Tank heating element 2,8 kW 230 V	31 03 062	x		
n.p.	Tank heating element 2,8 kW 240 V	31 03 053	x		
29	Heating element 3,0 kW 230/480 V	31 03 027		x	
n.p.	Heating element 3,0 kW 240/420 V	31 03 029		x	
30	Tank heating flange	31 03 054	x		
31	O-ring	27 07 069	x	x	
32	Wiring loom	31 23 088		x	

GS 23 / 27

Waschsystem
Wash system
Système de lavage

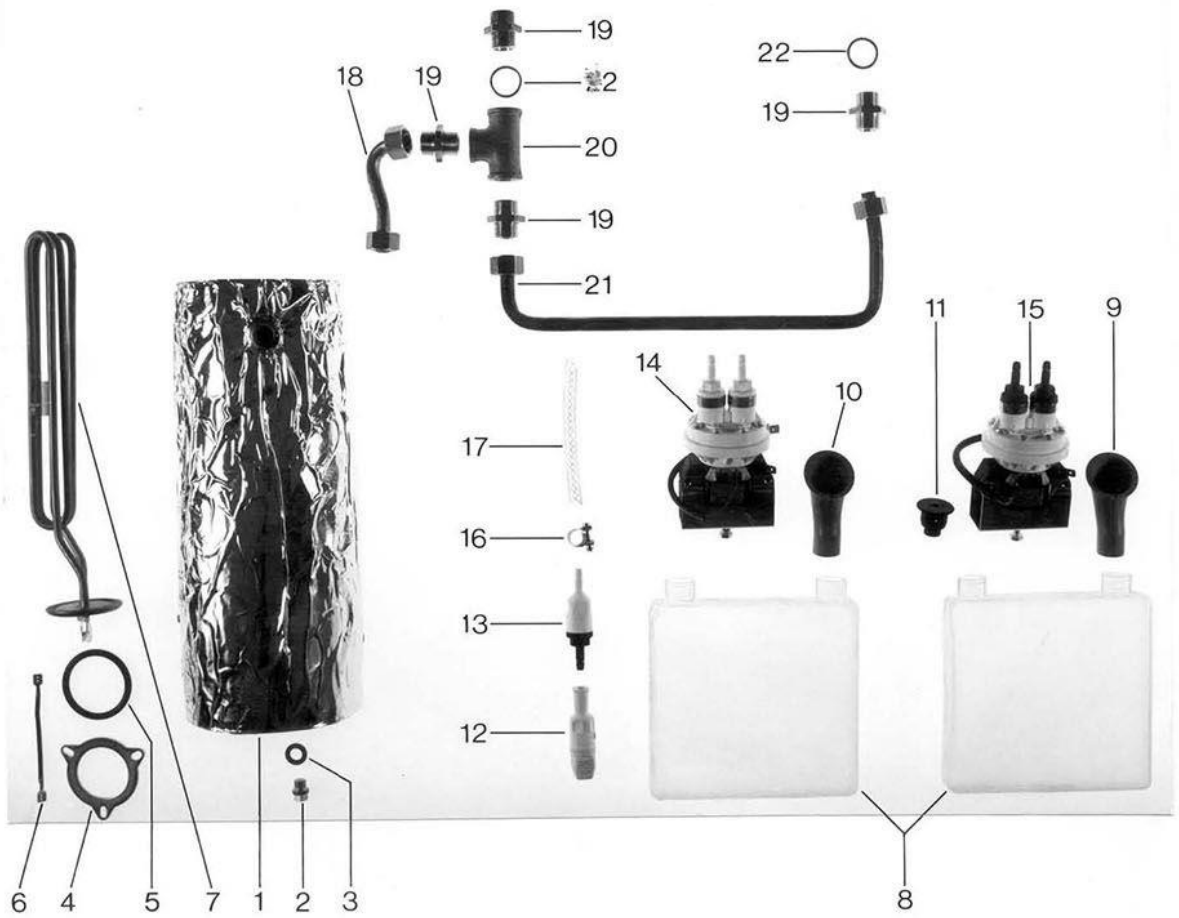


GS 23 / 27 - Wash system

Pos.	Designation	Part no.	23	27	Notes
1	Pump filter round	55 13 003		x	
n.p.	Pump filter cornered	55 13 019	x		
n.p.	Wing nut	21 15 305			
2	Suction basket	55 13 113		x	
3	Rubber elbow	40 03 021		x	
4	Hose clip 32-52	28 02 110		x	
n.p.	Pump plastic 0,55 kW 220 V	31 02 276		x	incl.pos. 10
n.p.	Pump plastic 0,55 kW 240 V	31 02 276		x	
5	Pump housing	31 02 200		x	
6	Impeller	31 02 201		x	
7	Seal	31 02 203		x	
8	Sealing kit	80 002674	x		incl. Pos. 13
9	Sealing kit	80 002673		x	incl. Pos. 7
10	Capacitor 12,5 µF	31 13 028	x	x	
n.p.	Pump plastic 0,24 kW 220 V	31 02 332	x		
n.p.	Pump plastic 0,24 kW 220 V 60Hz	31 02 069			
n.p.	Pump plastic 0,24 kW 240 V	31 02 040	x		
11	O-ring ø 155 x ø 5	27 07 024	x		
12	Pump housing	31 02 215	x		
13	O-ring (for pump)	31 02 216	x		
14	Impeller	31 02 217	x		
15	Rubber grommet	40 07 014		x	
16	O-Ring	27 07 069	x		since 3/84
17	Ring nut	35 01 006	x	x	
18	Wash arm	55 07 055		x	with jets
19	Wash jet cpl. black/white	29 10 538		x	
20	Wash jet base black	29 10 529		x	
21	Wash jet cap white ø 7	29 10 525		x	
22	End piece lock	28 04 041		x	
23	O-ring ø 27 x ø 4	27 07 016	x	x	
24	Wash arm lock	28 04 040	x	x	
25	Wash arm			x	only complete available pos. 18
26	End piece	35 01 089		x	
27	Wash arm support	55 08 008		x	
28	Wash arm	55 07 056	x		with jets
29	Wash jet black/black	29 10 527	x		
30	Wash jet cap ø 5 black	29 10 526	x	x	
31	Air chamber	55 04 024		x	
32	Pump hose DN38 x 4,0 x 75	40 02 014		x	per meter
33	Pipe piece ø 38	28 14 318		x	
n.p.	Wash manifold	55 06 009			until 12/81 Part made to order only!
n.p.	Wash manifold	55 06 011			since 1/82 Part made to order only!

GS 23 / 27

**Boiler und Nachspülung I
Boiler and rinsing I
Surchauffeur et rinçage I**

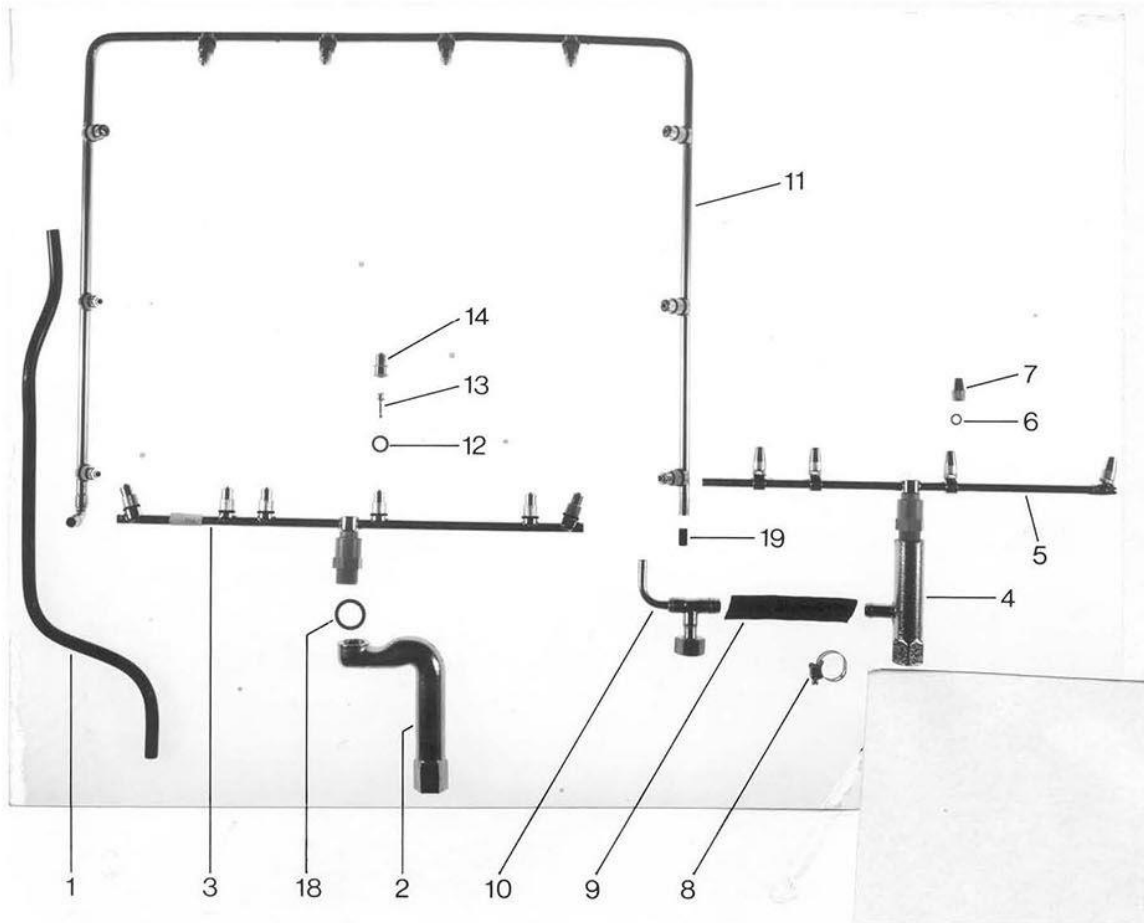


GS 23 / 27 - Boiler and rinsing

Pos.	Designation	Part no.	23	27	Notes
1	Boiler 5 kW	55 12 005		x	
n.p.	Boiler	55 12 001	x		until 4/82
n.p.	Boiler	55 12 007	x		since 4/82
2	Blanking cap M 10 x 1	20 01 352	x	x	
3	Seal \varnothing 15 x \varnothing 8	27 03 003	x	x	
4	Clamping plate	01 17 003	x	x	
5	O-ring	27 07 069	x	x	
6	Link wire	31 23 088		x	
7	Heating element 2,8 kW 220 V	31 03 084	x		
n.p.	Heating element 2,8 kW 240 V	31 03 033	x		
n.p.	Heating element 5,0 kW 220/380 V	31 03 030		x	
n.p.	Heating element 5,0 kW 240/420 V	31 03 032		x	
8	Detergent container	35 02 020	x	x	
n.p.	Filling instruction plate	28 03 116			no more available
9	Filling funnel grey	40 07 025	x	x	detergent
10	Filling funnel blue	40 07 026	x	x	rinse aid
11	Reducing bush	40 06 011	x	x	
12	Suction valve cpl. for ELT 10	80000257	x	x	spare parts
13	Pressure valve cpl. for ELT 10	80000258	x	x	see sep.
14 + 15	ELT 20 dispenser	55 28 278	x	x	list 6/90
16	Wire hose clip	28 02 348	x	x	for 40 01 024
17	Reinforced hose	40 01 024	x	x	for rinse aid, per metre
18	Rinse connection short	62000506		x	
19	Double nipple 1/2" BSP	70 000459	x	x	
20	T-piece 1/2" BSP	30 04 100		x	
21	Rinse connection long	55 11 040		x	
22	Seal \varnothing 27 x \varnothing 21	27 04 006	x	x	
n.p.	CN pipe \varnothing 6 x 1 x 655 lg.	02 20 009	x	x	for rinse container
n.p.	CN suction pipe \varnothing 6 x 1,2 x 287 lg.	28 14 327	x	x	for detergent container
n.p.	Pipe elbow 145 x 45		x		inlet elbow cpl. 55 25 004
n.p.	Soldering bush M 10		x		
n.p.	Hexagon nut		x		
n.p.	Seal		x		

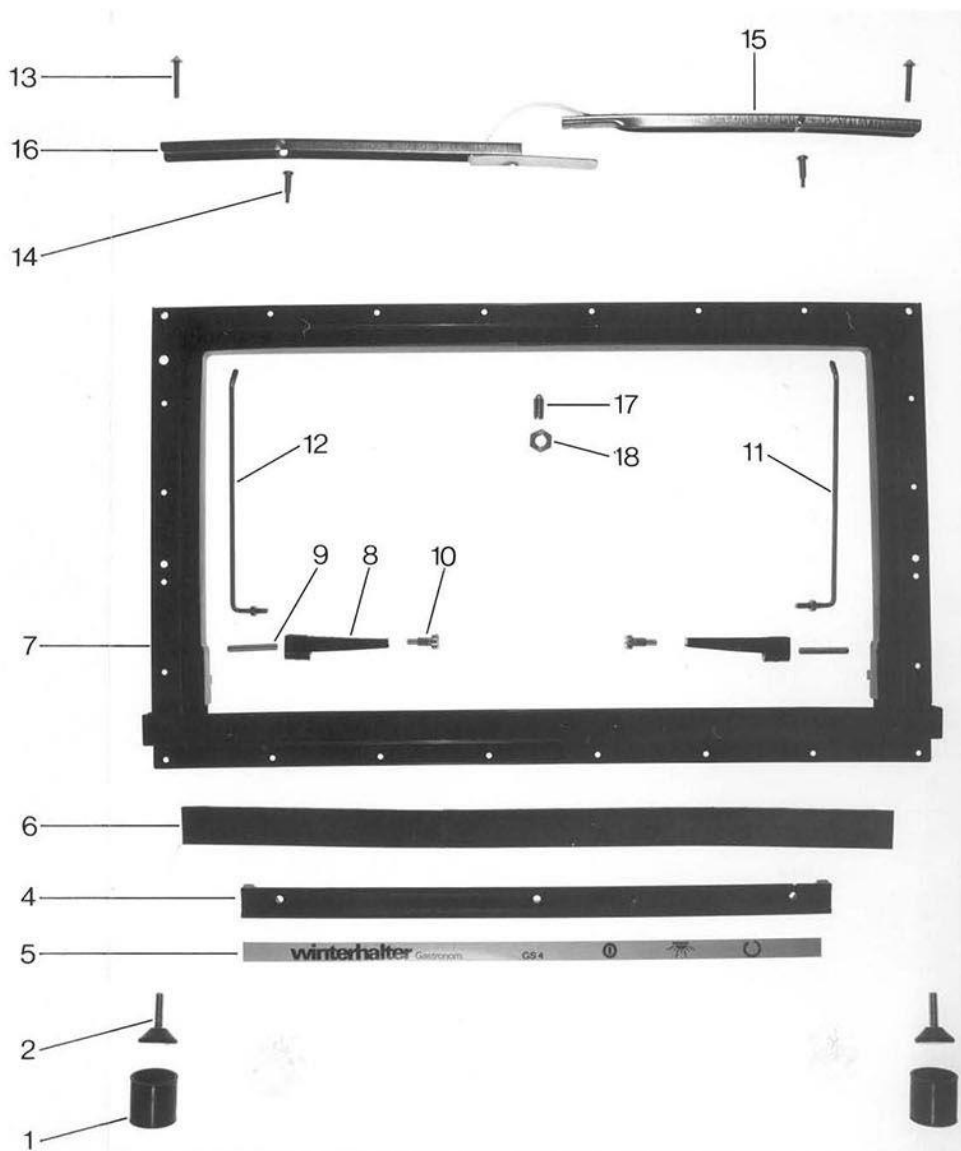
GS 23 / 27

Nachspülung II
Rinsing II
Rinçage II



GS 23 / 27

Türe, Rahmen, Abdeckung, Verkleidung
Door, frame, cover, panel
Porte, châssis, cache, habillage



GS 23 / 27 - Door, frame, cover, panel

Pos.	Designation	Part no.	23	27	Notes
1	Machine elevation	35 01 091	x	x	
2	Screw M8 x 35	20 01 347	x	x	
n.p.	Cap	35 03 021	x	x	
n.p.	Front panel	55 03 065	x		Part made to order only!
n.p.	Front panel	55 03 066		x	Part made to order only!
n.p.	Dome head nut M 5	21 10 303	x	x	
4	Profile rail	35 01 531	x		
5	Type strip GS 23		x		no more available
n.p.	Self-adhesive plate "Winterh."	28 03 098		x	no more available
6	Door seal	55 15 036		x	
7	Door frame	35 01 050		x	
n.p.	Door frame CN	55 15 153		x	
8	Door hinge with cylinder pin	02 30 009		x	
n.p.	Screws	20 10 312		x	
10	Cylinder screw with dog point	20 19 302	x		
11	Door stay right	55 15 054		x	
12	Door stay left	55 15 053		x	
n.p.	Door stay right	55 15 090	x		
n.p.	Door stay left	55 15 089	x		
n.p.	Door cpl.	55 15 011		x	
n.p.	Door chassis	55 15 015		x	
n.p.	Door cpl. (with spring catch)	55 15 017	x		with door stay
13	Door bolt	20 19 303		x	
14	Cylinder screws M 4	20 19 300		x	
15	Tilting lever (spring part)	55 15 057		x	
16	Tilting lever (plate part)	55 15 058		x	
17	Spring catch	28 05 045	x		
18	Hexagon nut M 10	21 02 306	x		
n.p.	Covering plate CN	55 17 011			
n.p.	Rear panel 21 deep	55 03 015	x		until 12/82 Part made to order only!
n.p.	Rear panel 40 deep	55 03 067			since 12/82 Part made to order only!
n.p.	Panel coat	55 03 068		x	no more availabale
n.p.	Sliding bush for door stay	35 01 164	x		
n.p.	Permanent magnetic lock	28 05 047	x		since 2/85
n.p.	Bottom cover	55 17 010	x		
n.p.	Welding nut M 5 for door stay	21 06 329	x	x	
n.p.	Door handle	62000288	x		
n.p.	Type stripe	28 03 145	x		

GS 23 / 27

Elektroteile
Electrical parts
Matériel électrique

